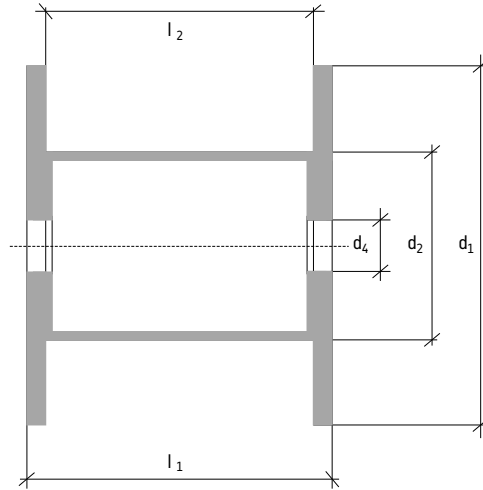




RANGE OF SPOOLS



Typ K 40

d_1	40 mm
d_2	25 mm
d_4	15 mm
l_1	50 mm

~ 100 g wire



Typ K 50

d_1	50 mm
d_2	32 mm
d_4	15 mm
l_1	50 mm

~ 200 g wire



Typ K 63

d_1	63 mm
d_2	40 mm
d_4	15 mm
l_1	63 mm

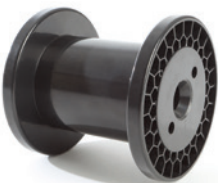
~ 300 g wire



Typ K 80

d_1	80 mm
d_2	50 mm
d_4	24 mm
l_1	80 mm

~ 800 g wire



Typ K 100

d_1	100 mm
d_2	63 mm
d_4	24 mm
l_1	100 mm

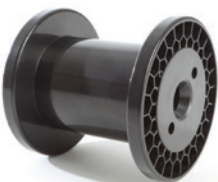
~ 1.3 kg wire



Typ K 125

d_1	125 mm
d_2	80 mm
d_4	24 mm
l_1	125 mm

~ 2.3 kg wire



Typ K 160

d_1	160 mm
d_2	100 mm
d_4	34 mm
l_1	160 mm

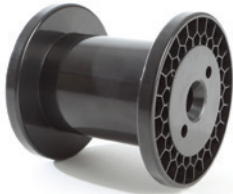
~ 5 kg wire



Typ K 200

d_1	200 mm
d_2	125 mm
d_4	34 mm
l_1	200 mm

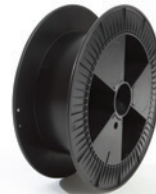
~ 11 kg wire



Typ K 250

d₁ 250 mm
d₂ 160 mm
d₄ 34 mm
l₁ 200 mm

~ 18 kg wire



Typ SD 300 K

d₁ 300 mm
d₂ 212 mm
d₄ 51,5 mm
l₁ 103 mm

~ 12 kg wire



Typ SH 390 K

d₁ 390 mm
d₂ 310 mm
d₄ 305 mm
l₁ 85 mm

~ 15 kg wire



Typ SH 460 K

d₁ 460 mm
d₂ 319 mm
d₄ 305 mm
l₁ 105 mm

~ 40 kg wire



Typ DWF 355/30, /36

d₁ 355 mm
d₂ 244 mm
d₄ 30 mm, 36 mm
l₁ 300 mm

~ 40 kg wire



Typ DWF 500 / 36

d₁ 500 mm
d₂ 160 mm
d₄ 36 mm
l₁ 350 mm

~ 90 kg wire

RANGE OF RINGS



Inside diameter: 300 – 500mm
Thickness: min. 0.5mm

Other spools, rings or delivery types on request